

TS0MCF2PC

CompactFlash™ Adapter

Description

TS0MCF2PC is a simple little CompactFlash™ Adapter that takes your TYPE I CompactFlash™ card and makes it compatible with a standard Type II PCMCIA slot. When installed, the CompactFlash™ card acts like a small disk, using the high throughput of the PCMCIA bus to make CompactFlash™ transfers a quick and painless procedure.

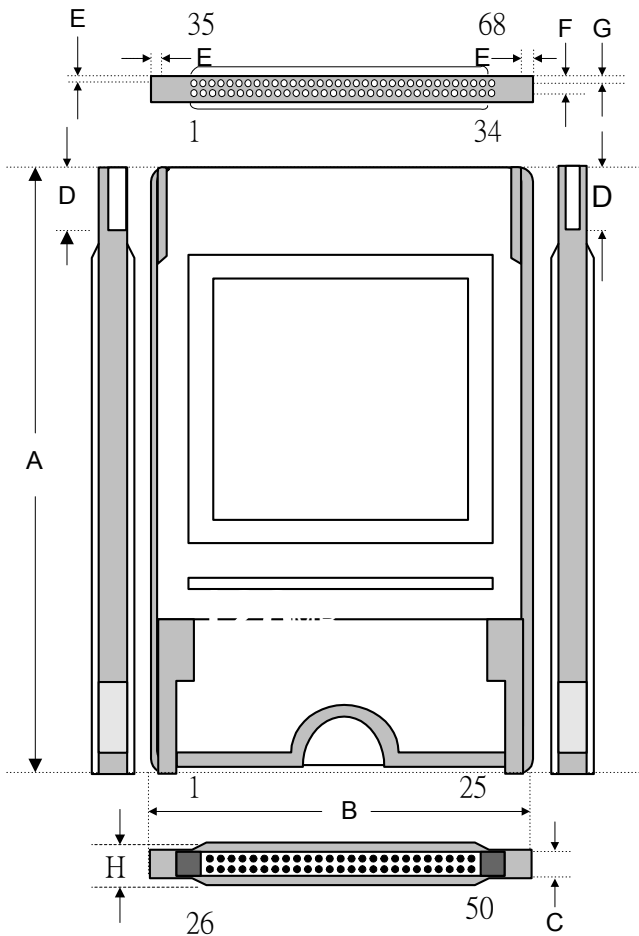
System Requirements

- Desktop or notebook computer with PCMCIA host connector

Features

- Converts Type I CompactFlash™ Card into Type II PC Card format
- Maintains full functionality of CompactFlash™ Card with no degradation in performance
- Use in any Notebook or PC Card Drive
- 100% CFA compliant
- High capacity, low power, high speed
- True plug and play operation, transfer your data quickly and easily.

Placement



Dimensions

Side	Millimeters	Inches
A	85.60 ± 0.200	3.37 ± 0.008
B	54.00 ± 0.100	2.126 ± 0.004
C	3.30 ± 0.100	0.130 ± 0.004
D	11.00 ± 0.300	0.433 ± 0.012
E	1.00 ± 0.050	0.039 ± 0.002
F	2.45 ± 0.050	0.097 ± 0.002
G	0.85 ± 0.050	0.034 ± 0.002
H	4.90 ± 0.100	0.193 ± 0.004

Pin Identification

Symbol	Function
D0 ~ D15	Data Bus (Bi-directional)
A0 ~ A10	Address Bus (Input)
/CE1, /CE2	Card Enable (Input)
/OE, /WE	Output / Write Enable (Input)
/REG	Register Select (Input)
/IORD, /IOWR	I/O access (Input)
/CD1, /CD2	Card Detect (Output)
/IRQ, /IO16, RST	I/O Handshaking (Input/Output)
/WAIT, SPRK, /STSG	
RFU	Reserved for Future Use
VDD	+5V power input

68Pins Pinouts

Pin No.	Pin Name	Pin No.	Pin Name	Pin No.	Pin Name	Pin No.	Pin Name
01	GND	18	RFU	35	GND	52	RFU
02	D3	19	RFU	36	/CD1	53	RFU
03	D4	20	RFU	37	D11	54	RFU
04	D5	21	RFU	38	D12	55	RFU
05	D6	22	A7	39	D13	56	RFU
06	D7	23	A6	40	D14	57	RFU
07	/CE1	24	A5	41	D15	58	RST
08	A10	25	A4	42	/CE2	59	/WAIT
09	/OE	26	A3	43	RFU	60	RFU
10	RFU	27	A2	44	/IORD	61	/REG
11	A9	28	A1	45	/IOWR	62	SPKR
12	A8	29	A0	46	RFU	63	/STSG
13	RFU	30	D0	47	RFU	64	D8
14	RFU	31	D1	48	RFU	65	D9
15	/WE	32	D2	49	RFU	66	D10
16	/IRQ	33	/IO16	50	RFU	67	/CD2
17	VDD	34	GND	51	VDD	68	GND

50Pins Pinouts

Pin No.	Pin Name	Pin No.	Pin Name	Pin No.	Pin Name	Pin No.	Pin Name
01	VSS	14	A6	27	D11	40	NC
02	D3	15	A5	28	D12	41	RESET
03	D4	16	A4	29	D13	42	/WAIT
04	D5	17	A3	30	D14	43	/INPACK
05	D6	18	A2	31	D15	44	/REG
06	D7	19	A1	32	/CE2	45	LOGICH
07	/CE1	20	A0	33	VSS	46	STSCHG
08	A10	21	D0	34	/IORD	47	D8
09	/OE	22	D1	35	/IOWR	48	D9
10	A9	23	D2	36	/WE	49	D10
11	A8	24	/IOIS16	37	/IREQ	50	VSS
12	A7	25	VSS	38	VDD		
13	VDD	26	VSS	39	CSEL		

Recommended Operating Conditions

Parameter	Min.	Typical	Max.
Power Supply Voltage (VDD)	4.5V	5V	5.5V
Operating Temperature	0°C		70°C

Above technical information is based on industry standard data and tested to be reliable. However, Transcend makes no warranty, either expressed or implied, as to its accuracy and assumes no liability in connection with the use of this product. Transcend reserves the right to make changes in specifications at any time without prior notice.